

# PERFORMANCE COMPARISON OF FAST DISCRETE HARTLEY TRANSFORM (FHT) AND FAST FOURIER TRANSFORM (FFT) OFDM SYSTEMS

Soorni Suresh Kumar<sup>1</sup>, S. Aruna Kumari<sup>2</sup>, Seema B Thakur<sup>3</sup>

<sup>1</sup>ECE, SVPEC, (India)

<sup>2</sup>ECE, SITAM, (India)

<sup>3</sup>ECE, SITAM, (India)

## ABSTRACT

*Orthogonal Frequency Division Multiplexing (OFDM) is a technique used in 3G and 4G mobile networks for higher data rates. In future also we must use OFDM for high data rates. OFDM is nothing but Inverse Discrete Fourier Transform (IDFT). DFT and IDFT produce complex values. In general the procedure of OFDM is, first we will perform any digital modulation scheme on raw bits. This is because the OFDM is not a modulation technique (representing the message by using carrier) but multiplexing technique (more number of carriers is used to represent information). Quadrature Amplitude Modulation (QAM) is the better digital modulation technique among all other digital modulation techniques because it gives high data rates with more accuracy. But the problem is QAM+OFDM gives complex numbers. We have to convert them into real before transmission and after reaching the destination again we have to get back the original complex numbers. This is an unnecessary complexity in the system. This procedure not only wastes the time but also increases the errors. In this paper we removed the digital modulation technique and FFT is replaced with Fast Discrete Hartley Transform (FHT) to not only reduce complexity but also improve accuracy.*

**Keywords:** *OFDM; Inverse Discrete Fourier Transform; Discrete Hartley Transform; Quadrature Amplitude Modulation; Fast Discrete Hartley Transform*

## 1 INTRODUCTION

Orthogonal Frequency Division Multiplexing is a modulation system that is being used by many of the latest wireless communications. A large number of closely spacing sub-carrier signals which are orthogonal to each other are used to carry data on several parallel data paths called as channels. Each of the sub-carrier signal is modulated with a conventional digital modulation formats (like Quadrature Amplitude Modulation (QAM)) at a low symbol rate. Major advantages of OFDM are finds applications which need high data rates; provide immunity to ISI by using cyclic prefix, no need to employing bank of oscillators. It allows simultaneous

transmission of orthogonal subcarriers over a common channel, thus making efficient use of available spectrum, results in high Spectral Efficiency.

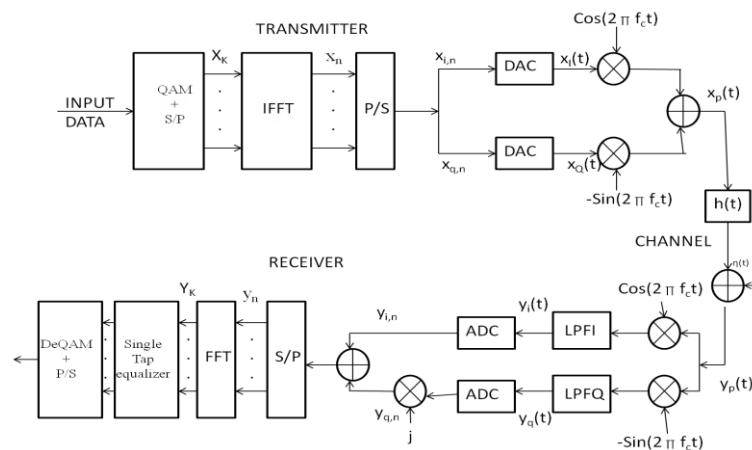
This paper starts with the introduction of the topic in section I. Section II presents a Typical OFDM system model. Discrete Hartley Transform (DHT) is introduced in section III and section IV. Section V provides signal processing steps to implement a DHT. Simulation results are conferred in section VI and finally the Conclusion is given in VII.

## II. FORMULATION OF GENERAL OFDM

Typically,  $N$  independent data symbols are modulated by using digital baseband modulation schemes like Quadrature Amplitude Modulation (QAM). OFDM signal is nothing but sum of those  $N$  independent modulated data symbols. The time-domain OFDM symbols  $X = [x_0, x_1, \dots, x_{LN-1}]^T$  can be calculated as

$$x_n = \frac{1}{\sqrt{NL}} \sum_{k=0}^{N-1} X_k \cdot e^{j2\pi \frac{kn}{NL}}, \quad 0 \leq n \leq NL-1, \quad (1)$$

Where  $n = 0, 1, \dots, LN-1$  time is index and  $L$  is the upsampling factor.



**Fig 1. Block diagram of OFDM system with DFT & QAM.**

The above block diagram of general OFDM represents the complexity.

## III. DISCRETE HARTLEY TRANSFORM(DHT)

The Discrete Hartley Transform (DHT) is a linear transform, in this  $N$  real numbers  $[x_0, x_1, \dots, x_{N-1}]$  is transformed into  $N$  real numbers  $[H_0, H_1, \dots, H_{N-1}]$ .

The precoding matrix  $P$  can be written as:

$$P = \begin{bmatrix} p_{00} & \cdots & p_{0(N-1)} \\ \vdots & \ddots & \vdots \\ p_{(N-1)0} & \cdots & p_{(N-1)(N-1)} \end{bmatrix} \quad (2)$$

$$p_{mn} \text{ is given by } p_{mn} = \text{cas} \left( \frac{2\pi nk}{N} \right)$$

Where  $\text{cas}(\theta) = \cos(\theta) + \sin(\theta)$ ,  $k=0, 1, 2, \dots (N-1)$ .

The DHT is a invertible transform which allow us to recover the  $x_n$  from  $H_k$  with same DHT function.

### 3.1 FAST DISCRETE HARTLEY TRANSFORM

The main drawback with DFT is time consumption. But we can rearrange the formulae of DFT such that we can achieve the butterfly type computation which is present in FFT.

The rearranged formulae is

$$(3)$$

$$(4)$$

$$(5)$$

Where  $y_n$  is the even position input and  $z_n$  is the odd position input.

### 4 PROPOSED TECHNIQUE

In this section, the authors propose new OFDM system with FHT.

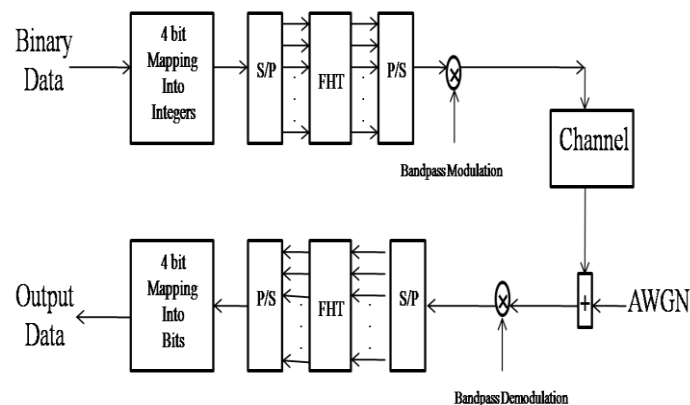


Fig 2. Block diagram of OFDM system with DHT.

The present Fast Discrete Hartley Transform (FHT) system processing steps are given below:

Step1: At a time the system takes 256 bits

Step2: Converts the bits into 64 integers with each integer represents 4 bits. This process is comparable to QAM in the case of OFDM system but the difference is QAM gives complex numbers. Here we got real values

Step3: These 64 integers are given as input to FHT

Step4: By using a COS function band pass modulation is performed

Step5: Band pass demodulation is performed

Step6: Integers are given to FHT

Step7: Output integers of FHT converted into bits

## V. SIMULATION RESULTS

Computer simulation results are conferring in this section to evaluate the performance of the proposed technique i.e. Fast Discrete Hartley Transform (FHT) OFDM System in AWGN Channel.

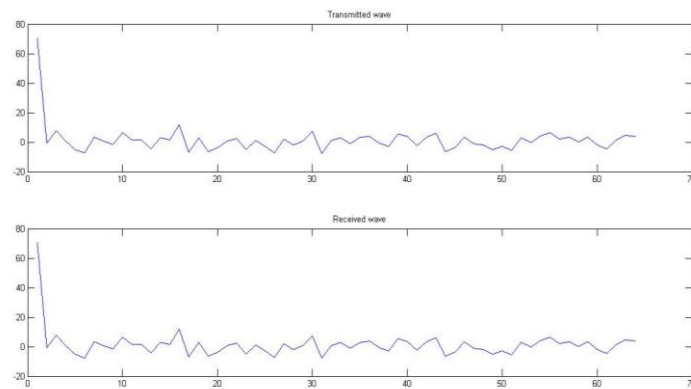


Fig 3. Waveforms of OFDM system with DHT

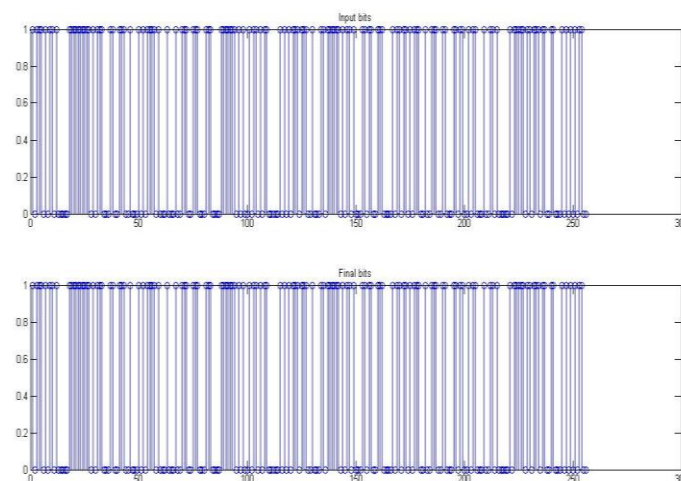


Fig 4. Bitwise comparison of OFDM system with DHT



## 2nd International Conference on "Innovative Trends in Science, Engineering and Management"

YMCA, Connaught Place, New Delhi

05 November 2016, [www.conferenceworld.in](http://www.conferenceworld.in)

ICITSEM-16

ISBN : 978-93-86171-10-8

- [5] X. Wang, T. T. Tjhung, and C. S. Ng, "Reduction of peak-to-average power ratio of OFDM system using a companding technique," *IEEE Trans. Broadcast.*, vol. 45, no. 3, pp. 303–307, Sep. 1999.
- [6] T. Jiang, Y. Yang, and Y.-H. Song, "Exponential companding technique for PAPR reduction in OFDM systems," *IEEE Trans. Broadcast.*, vol. 51, no. 2, pp. 244–248, Jun. 2005.
- [7] Y. Wang, J. Ge, L. Wang, J. Li, and B. Ai, "Nonlinear companding transform for reduction of peak-to-average power ratio in OFDM systems," *IEEE Trans. Broadcast.*, vol. 59, no. 2, pp. 369–375, Jun. 2013.
- [8] P. Yang and A. Hu, "Two-piecewise companding transform for PAPR reduction of OFDM signals," in *Proc. Wireless Commun. Mobile Comput. Conf. (IWCMC)*, Istanbul, Turkey, Jul. 2011, pp. 619–623.
- [9] Meixia Hu, Yongzhao Li, Wei Wang, and Hailin Zhang, "A Piecewise Linear Companding Transform for PAPR Reduction of OFDM Signals With Companding Distortion Mitigation," *IEEE transactions on broadcasting*, vol. 60, no. 3, september 2014.
- [10] Imran Baig, Varun Jeoti, "PAPR analysis of DHT precoded OFDM system for M-QAM", International Conference on " Intelligent and Advanced Systems (ICIAS)", 2010
- [11] R.N. Bracewell, "Discrete Hartley transform", *J. Opt. Soc. Am.*, vol. 73, no. 12, pp. 1832–1835, Dec. 1983.